

CONSTRUCTION NOTES

- 1 INSTALL FOUNDATION.
- 2 INSTALL FLASHING WARNING DEVICE, INCLUDING BUT NOT LIMITED TO: DUAL CIRCUIT FLASHER, (2) 12" YELLOW LED SIGNAL SECTIONS, SOLAR PANELS, ELECTRICALS, BATTERIES, WIRING, REQUIRED FOR THE INSTALLATION.
- 3 INSTALL TRAFFIC SIGNAL SUPPORT, 18" STRAIN POLE, 1000 LBS DESIGN TENSION, INCLUDES MATERIALS AND ACCESSORIES ASSOCIATED WITH THE INSTALLATION.
- 4 INCLUDE MISCELLANEOUS HARDWARE, MATERIALS AND ACCESSORIES FOR FLASHING WARNING DEVICE INSTALLATION AND SOLAR POWER SUPPLY SYSTEM AS REQUIRED.
- 5 INCLUDE PROGRAMMING OF ANY SOFTWARE ASSOCIATED WITH THE FLASHING WARNING DEVICE INSTALLATION AND/OR SOLAR POWER SUPPLY SYSTEM AS REQUIRED.
- 6 INSTALL PAVEMENT MARKING LEGEND.
- 7 REMOVE EXISTING PAVEMENT MARKING LEGEND.
- 8 INSTALL FLEXIBLE DELINEATOR POST, OFFSET POST, 2" FROM EDGE OF SHOULDER AS SHOWN IN FLEXIBLE DELINEATOR POST LOCATION DETAIL.
- 9 REMOVE EXISTING TUBULAR MARKER.
- 10 INSTALL POST MOUNTED SIGN(S).
- 11 INSTALL STRUCTURE MOUNTED SIGN(S).
- 12 REMOVE EXISTING POST MOUNTED SIGN(S).
- 13 TRIM TREES AS NECESSARY TO PROVIDE ADEQUATE SOLAR COVERAGE.
- 14 INSTALL POST MOUNTED REFLECTIVE PANEL(S) AS SHOWN ON POST MOUNTED REFLECTIVE PANEL (YELLOW) DETAIL.

EQUIPMENT NOTES

- 1 ANCHOR BOLT
- 2 FLASHER CABINET
- 3 SOLAR PANEL, ORIENTATE SOLAR PANEL BETWEEN SOUTH AND WEST FOR OPTIMAL SOLAR PERFORMANCE. IN AREAS WITH TREE COVERAGE TRIM TREES FOR BEST SOLAR PANEL CLEARANCE AND ORIENTATE SOLAR PANEL PARALLEL TO ROADWAY RIGHT-OF-WAY.
- 4 12" YELLOW LED SIGNAL SECTIONS
- 5 W1-1LR, 36"x36", INCLUDES: ALL HARDWARE REQUIRED FOR INSTALLATION.
- 6 W1-3-IP (15 M.P.H.), 24"x24", INCLUDES: ALL HARDWARE REQUIRED FOR INSTALLATION.
- 7 W1-1RL, 36"x36", INCLUDES: ALL HARDWARE REQUIRED FOR INSTALLATION.

CONDUIT NOTES

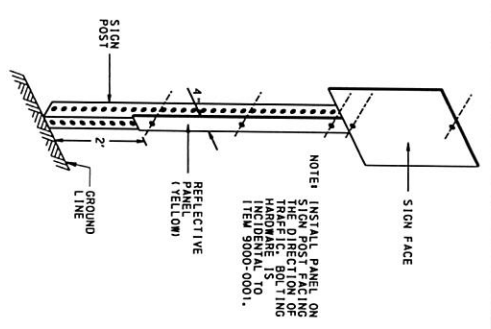
- 1 1" DIAMETER CONDUIT

ELECTRICAL WIRING NOTES

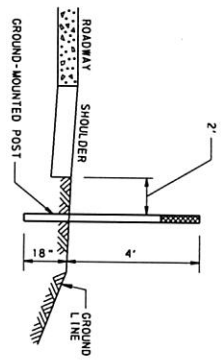
- 1 GROUND ROD USE 16 BGA, SHEET 1 OF 2, DETAIL, 271, USE 60 INCH MINIMUM LENGTH OF BRONZE CORRECTLY GROUND ROD, USE WIRE TO GROUND ROD, INSTALL GROUND RODS UNTIL IMPEDANCE IS LESS THAN 25 OHMS.
- 2 GROUND WIRE

OPERATION NOTES

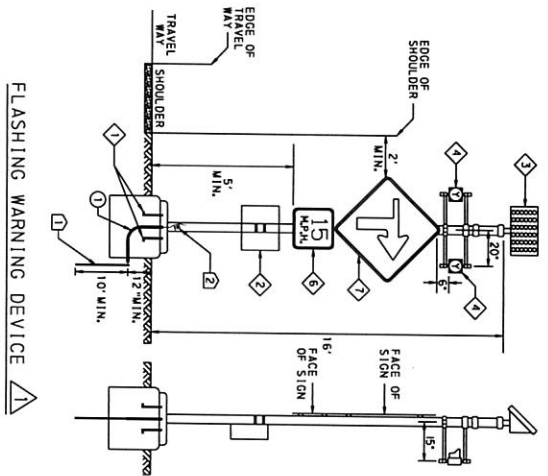
- 1 BEACONS SHALL FLASH AT A RATE OF NOT LESS THAN 50 OR MORE THAN 60 TIMES PER MINUTE.
- 2 THE ILLUMINATED PERIOD OF EACH FLASH SHALL BE A MINIMUM OF 1/2 AND A MAXIMUM OF 3/4 OF THE TOTAL CYCLE LENGTH.
- 3 FLASHING WARNING DEVICE SHALL DISPLAY TWO ALTERNATELY FLASHING YELLOW BEACONS AT ALL TIMES.



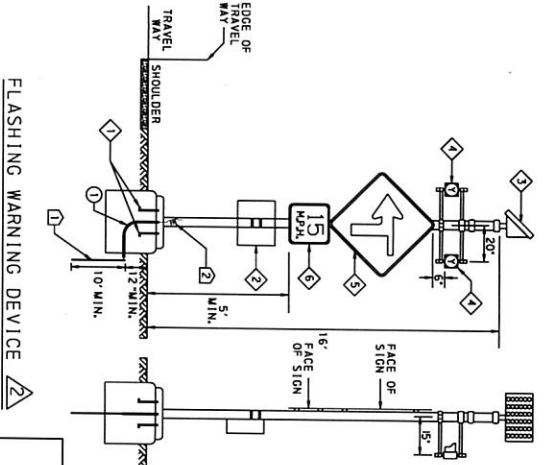
POST MOUNTED REFLECTIVE PANEL (YELLOW) DETAIL



FLEXIBLE DELINEATOR POST LOCATION DETAIL (NOT TO SCALE)



FLASHING WARNING DEVICE (NOT TO SCALE)



FLASHING WARNING DEVICE (NOT TO SCALE)

CONSTRUCTION NOTES AND DETAILS

DISTRICT	COUNTY	ROUTE	SECTION	SHEET
8-0	LANCASTER	4001	FMD	3 OF 8
REVISION NUMBER	REVISIONS	DATE	BY	APPROVED



CONSTRUCTION NOTES

1. INSTALL FOUNDATION.
2. INSTALL FLASHING WARNING DEVICE, INCLUDING BUT NOT LIMITED TO FLASHER(S), LED SIGNAL SECTIONS, SOLAR PANEL HOUSING(S), MISCELLANEOUS HARDWARE ASSOCIATED WITH THE INSTALLATION.
3. INSTALL TRAFFIC SIGNAL SUPPORT, 16" STRAIN POLE, 1000 LBS DESIGN TENSION, INCLUDES MATERIALS AND ACCESSORIES ASSOCIATED WITH THE INSTALLATION.
4. INCLUDE MISCELLANEOUS HARDWARE, MATERIALS AND ACCESSORIES FOR FLASHING WARNING DEVICE INSTALLATION AND SOLAR POWER SUPPLY AS REQUIRED.
5. INCLUDE PROGRAMMING OF ANY SOFTWARE ASSOCIATED WITH THE FLASHING WARNING DEVICE.
6. INSTALL FLEXIBLE DELINEATOR POST, OFFSET POST 2' FROM EDGE OF SHOULDER AS SHOWN IN FLEXIBLE DELINEATOR POST LOCATION DETAIL.
7. INSTALL POST MOUNTED SIGN(S).
8. INSTALL STRUCTURE MOUNTED SIGN(S).
9. REMOVE EXISTING POST MOUNTED SIGN(S).
10. RESET EXISTING POST MOUNTED SIGN(S).
11. INSTALL POST MOUNTED REFLECTIVE PANEL(S) AS SHOWN ON POST MOUNTED REFLECTIVE PANEL (YELLOW OR RED) DETAIL.
13. TRIM TREES AS NECESSARY TO PROVIDE ADEQUATE SIGHT DISTANCE.
14. REMOVE EXISTING POST MOUNTED REFLECTIVE PANEL.
15. INSTALL GUIDE RAIL MOUNTED DELINEATOR, TYPE B (W/W) AND TYPE D (W/W).
16. INSTALL PAVEMENT MARKING LEGEND.

EQUIPMENT NOTES

1. ANCHOR BOLT
2. FLASHER CABINET
3. SOLAR PANEL, ORIENTATE SOLAR PANEL BETWEEN SOUTH AND WEST FOR OPTIMAL SOLAR PERFORMANCE. IN AREAS WITH TREE COVERAGE TRIM TREES TO ROADWAY RIGHT-OF-WAY. ORIENTATE SOLAR PANEL PARALLEL TO ROADWAY.
4. 12" YELLOW LED SIGNAL SECTIONS
5. WZ-1, 36"x36", INCLUDES! ALL HARDWARE REQUIRED FOR INSTALLATION.
6. W3-1P (25 M.P.H.), 24"x24", INCLUDES! ALL HARDWARE REQUIRED FOR MIS-OP VISION.
7. W3-1P (25 M.P.H. RD), 54"x12", INCLUDES! ALL HARDWARE REQUIRED FOR INSTALLATION.

CONDUIT NOTES

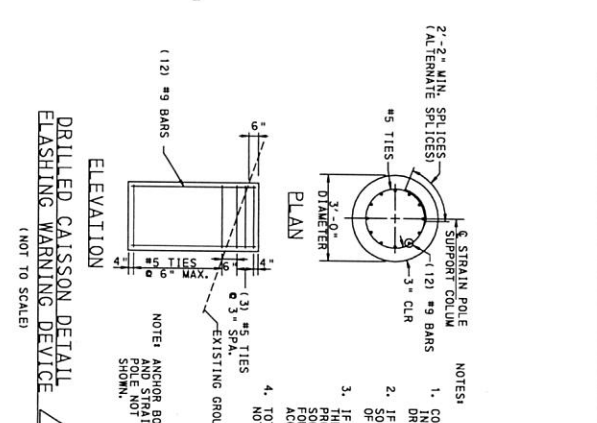
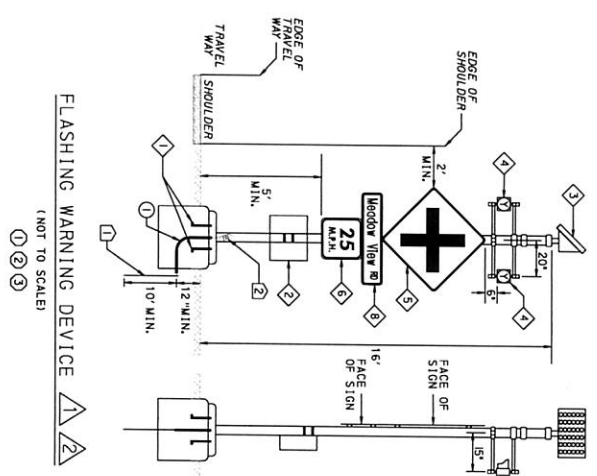
1. 1" DIAMETER CONDUIT

ELECTRICAL WIRING NOTES

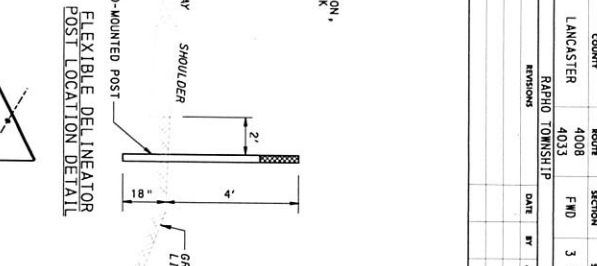
1. GROUND ROD 1 (SEE TC-8804, SHEET 1 OF 2, DETAIL "3") USE EXOTHERMIC WELD OR BRONZE CONNECTOR TO CONNECT GROUND WIRE TO GROUND ROD.
2. GROUND WIRE

OPERATION NOTES

1. BEACONS SHALL FLASH AT A RATE OF NOT LESS THAN 50 OR MORE THAN 80 TIMES PER MINUTE.
2. THE ILLUMINATED PERIOD OF EACH FLASH SHALL BE A MINIMUM OF 1/2 AND A MAXIMUM OF 3/8 OF THE TOTAL CYCLE LENGTH.
3. FLASHING WARNING DEVICE SHALL DISPLAY TWO ALTERNATELY FLASHING YELLOW BEACONS AT ALL TIMES.



- NOTES
1. CONSTRUCT DRILLED SHAFT IN ACCORDANCE WITH STANDARD DRAWING TC-8801.
 2. IF CAISSON IS COMPLETELY IN SOIL, USE A FOUNDATION DEPTH OF 18'-6\"/>



NOTE: INSTALL PANEL ON THE DIRECTION OF TRAFFIC. BOLTING HARDWARE IS TO ITEM 9000-0001 AND ITEM 9000-0002.

CONSTRUCTION NOTES AND DETAILS



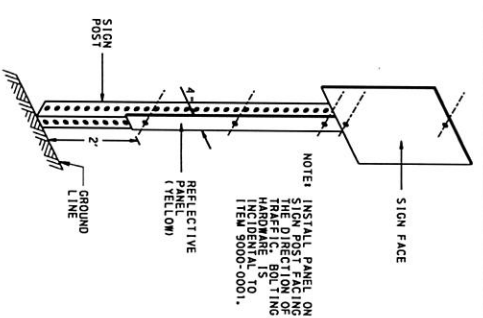
DISTRICT	COUNTY	ROUTE	SECTION	SHEET
8-0	LANCASTER	4033	FND	3 OF 9
REVISION NUMBER	REVISIONS	DATE	BY	APPROVED

CONSTRUCTION NOTES

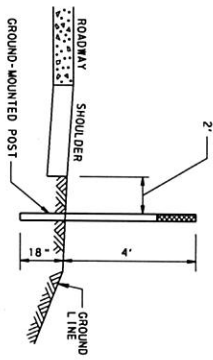
- 1 INSTALL FOUNDATION.
- 2 INSTALL FLASHING WARNING DEVICE, INCLUDING BUT NOT LIMITED TO BEACONS PERMITTED UNDER 215 C.F.R. SECTION 61.03, SIGNAL BRACKETS AND ANY MISCELLANEOUS HARDWARE ASSOCIATED WITH THE INSTALLATION.
- 3 INSTALL TRAFFIC SIGNAL SUPPORT, 16" STRAIN POLE, 1000 LBS DESIGN TENSION, INCLUDES MATERIALS AND ACCESSORIES ASSOCIATED WITH THE INSTALLATION.
- 4 INCLUDE MISCELLANEOUS HARDWARE, MATERIALS AND ACCESSORIES FOR FLASHING WARNING DEVICE INSTALLATION AND SOLAR POWER SUPPLY SYSTEM AS REQUIRED.
- 5 INCLUDE PROGRAMMING OF ANY SOFTWARE ASSOCIATED WITH THE SUPPLY SYSTEM AS REQUIRED.
- 6 INSTALL PAVEMENT MARKING LEGEND.
- 7 REMOVE EXISTING PAVEMENT MARKING LEGEND.
- 8 INSTALL FLEXIBLE DELINEATOR POST, OFFSET POST 2' FROM EDGE OF SHOULDER AS SHOWN IN FLEXIBLE DELINEATOR POST LOCATION DETAIL.
- 9 REMOVE EXISTING TUBULAR MARKER.
- 10 INSTALL POST MOUNTED SIGN SI.
- 11 INSTALL STRUCTURE MOUNTED SIGN SI.
- 12 REMOVE EXISTING POST MOUNTED SIGN SI.
- 13 TRIM TREES AS NECESSARY TO PROVIDE ADEQUATE SOLAR COVERAGE.
- 14 INSTALL POST MOUNTED REFLECTIVE PANEL(S) AS SHOWN ON POST MOUNTED REFLECTIVE PANEL YELLOW DETAIL.

EQUIPMENT NOTES

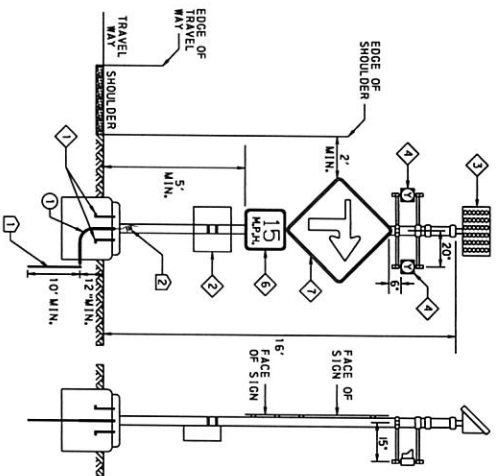
- 1 ANCHOR BOLT
 - 2 FLASHER CABINET
 - 3 SOLAR PANEL, ORIENTATE SOLAR PANEL BETWEEN SOUTH AND WEST FOR OPTIMAL SOLAR PERFORMANCE, IN AREAS WITH TREE COVERAGE TRIM TREES TO ROADWAY RIGHT-OF-WAY.
 - 4 12" YELLOW LED SIGNAL SECTIONS
 - 5 11"-14R, 36"x36", INCLUDES! ALL HARDWARE REQUIRED FOR INSTALLATION.
 - 6 11.3-1P (11.5 M.P.H.), 24"x24", INCLUDES! ALL HARDWARE REQUIRED FOR INSTALLATION.
 - 7 11"-1RL, 36"x36", INCLUDES! ALL HARDWARE REQUIRED FOR INSTALLATION.
- CONDUIT NOTES
- 1 1" DIAMETER CONDUIT
- ELECTRICAL WIRING NOTES
- 1 GROUND ROD (SEE TC-8904, SHEET 1 OF 2 DETAIL - 7"1, USE EXOTHERMIC WELD OR BRONZE CONNECTOR TO CONNECT GROUND WIRE TO GROUND ROD). INSTALL GROUND RODS UNTIL IMPEDANCE IS LESS THAN 25 OHMS.
 - 2 GROUND WIRE
- OPERATION NOTES
- 1 BEACONS SHALL FLASH AT A RATE OF NOT LESS THAN 50 OR MORE THAN 60 TIMES PER MINUTE.
 - 2 THE ILLUMINATED PERIOD OF EACH FLASH SHALL BE A MINIMUM OF 1/2 AND A MAXIMUM OF 3/4 OF THE TOTAL CYCLE LENGTH.
 - 3 FLASHING WARNING DEVICE SHALL DISPLAY TWO ALTERNATELY FLASHING YELLOW BEACONS AT ALL TIMES.



POST MOUNTED REFLECTIVE PANEL YELLOW DETAIL

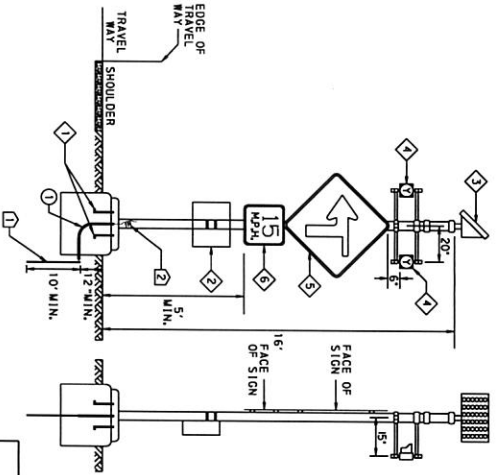


FLEXIBLE DELINEATOR POST LOCATION DETAIL



FLASHING WARNING DEVICE

(NOT TO SCALE)
① ② ③



FLASHING WARNING DEVICE

(NOT TO SCALE)
① ② ③

CONSTRUCTION NOTES AND DETAILS

DISTRICT	COUNTY	ROUTE	SECTION	SHEET
8-0	LANCASTER	4001	FWD	3 OF 8
PROJECT NUMBER	WEST HEPPFIELD TOWNSHIP			
REVISIONS	DATE	BY	APPROVED	

